

33.1"(840.0mm)  
TOP MOUNT

31.0"(788.0mm)  
UNDERMOUNT

# BOCCHI

[www.bocchiusa.com](http://www.bocchiusa.com)

**Model No. 1616**

Customer Service: 877-565-2221

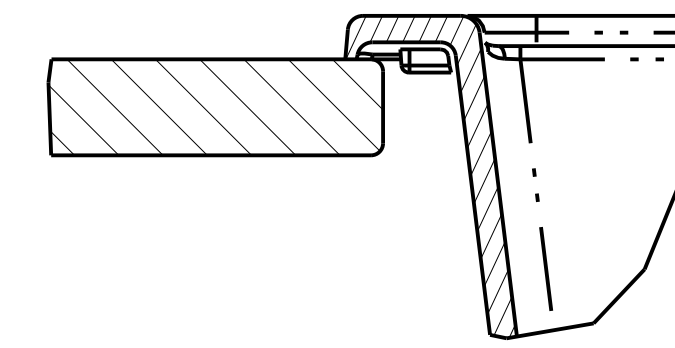
**NOTE:** Cutout template is provided as a guide ONLY and must be checked against actual sink to verify correct fit.

CUTLINE TOPMOUNT

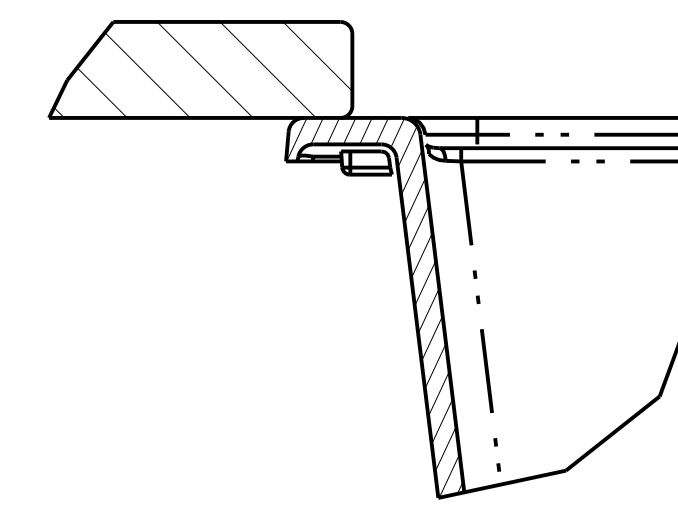
CUTLINE REVEAL

18.9"(480.0mm)  
TOP MOUNT

16.3"(413.0mm)  
UNDERMOUNT



**Top Mount**  
Sink is dropped into the cut out provided as a dashed line on this template.



**Undermount**  
The countertop extends back from the edge of the sink on all sides.

.5"(R12.7mm)  
ALL RADII